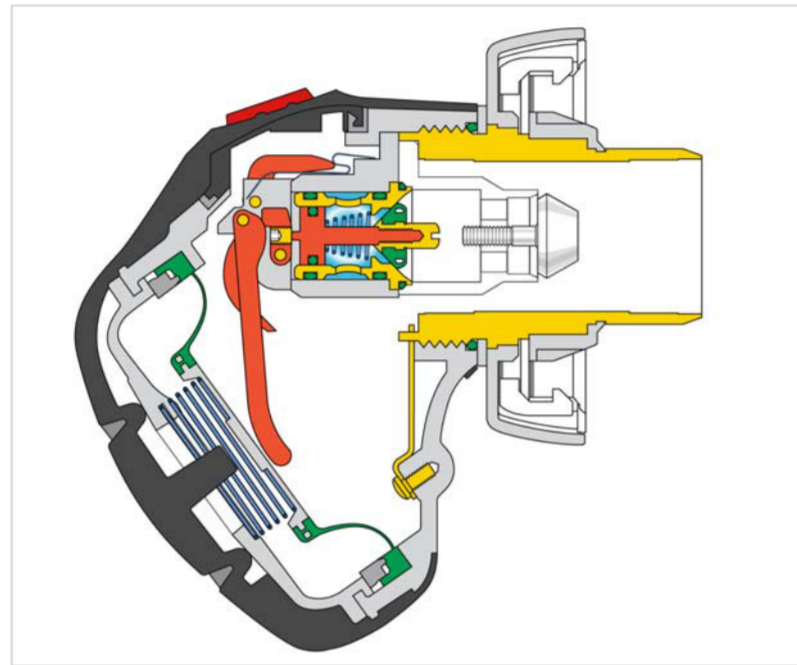


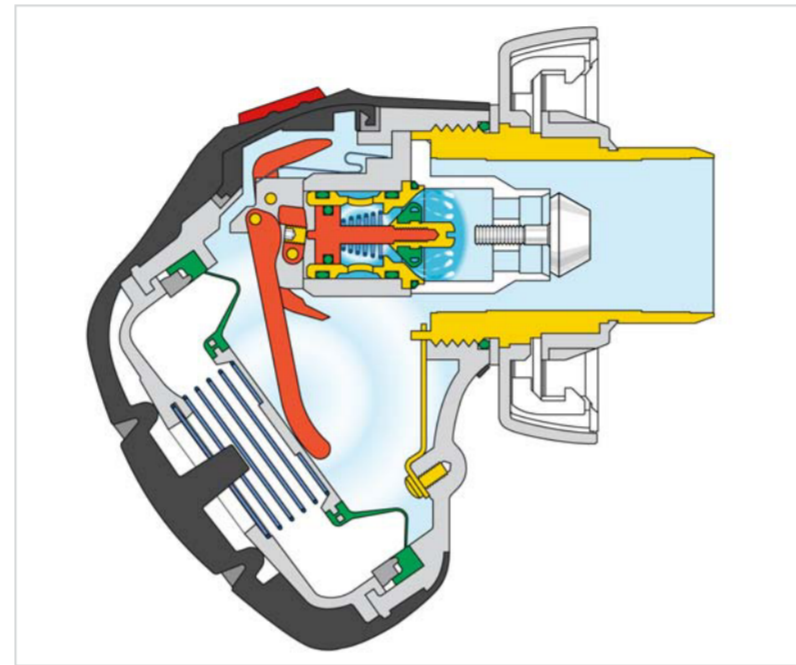
DrägerMan PSS®
Lungenautomat /
Lung Demand Valve
PLUS – Series



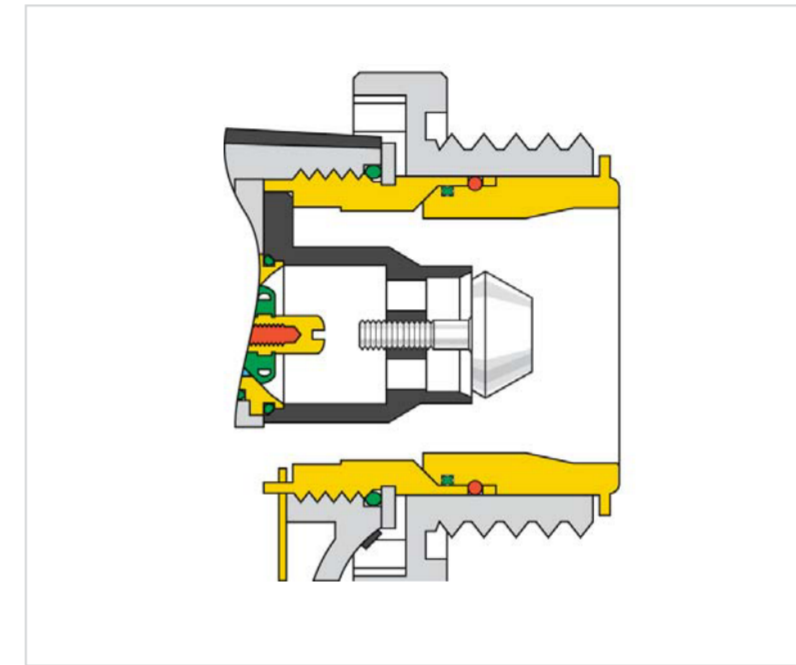
Überdruckanschlüsse /
positive pressure
connectors



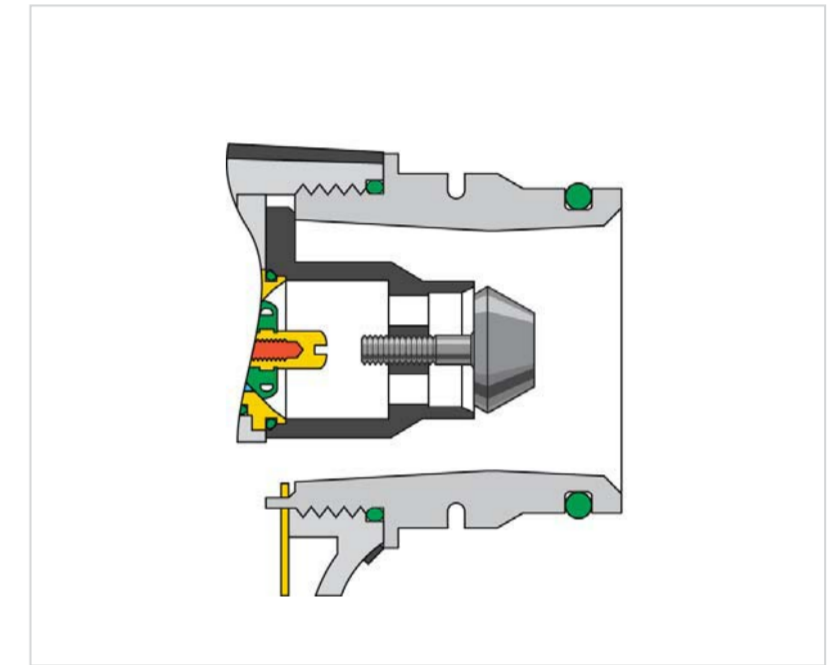
ESA, unified push in connector
Dosierventil geschlossen /
balanced piston closed



ESA, unified push in connector
Dosierventil offen /
balanced piston open

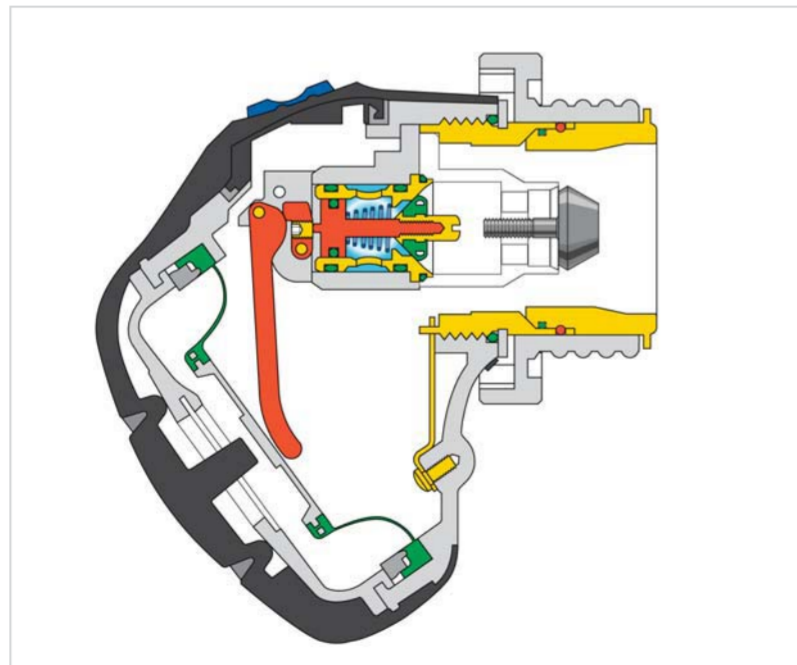


AE, M45 x 3

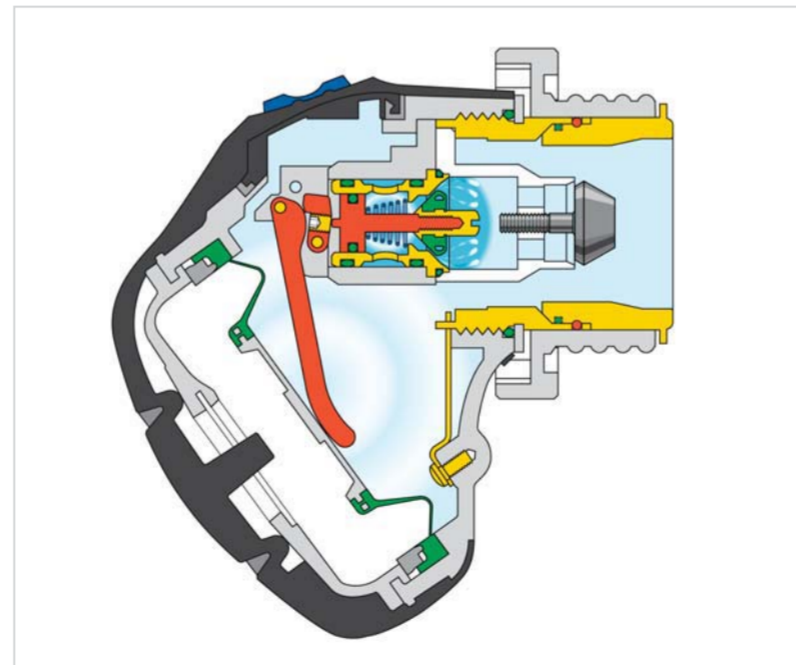


A, Dräger push in connector

Normaldruckanschluss /
negative pressure
connectors



N, Rd 40 x 1/7"
Dosierventil geschlossen /
balanced piston closed



N, Rd 40 x 1/7"
Dosierventil offen /
balanced piston open



**Dosierventil /
balanced piston unit**



**PSS® Lungenautomat – Aufbau /
PLUS – lung demand valve – principle**